



# WOOD 17" ROUND TOILET SEAT

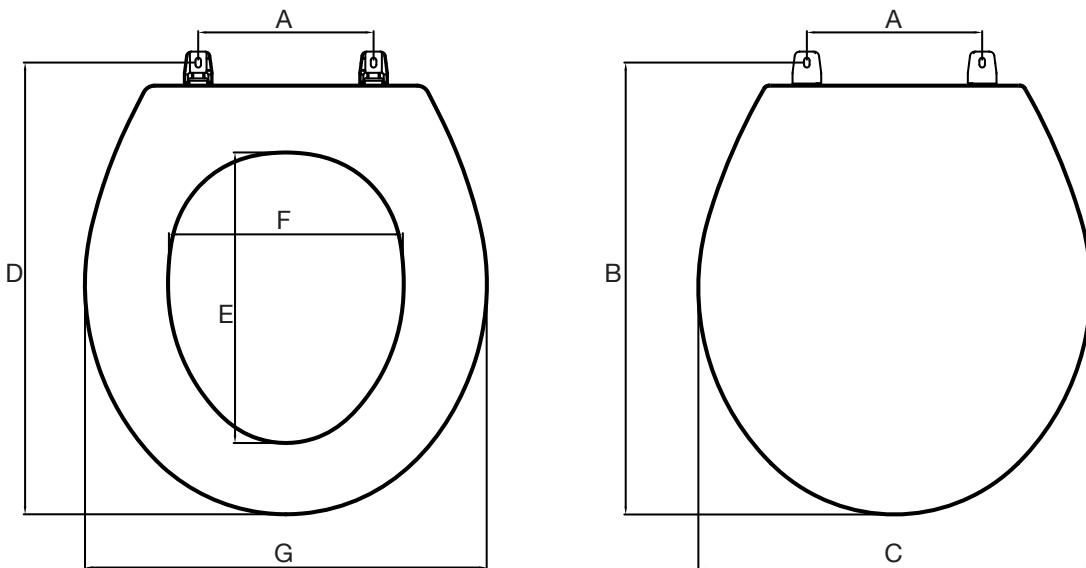
**DESCRIPTION:** Round shape, molded wood, multiple coat enamel finish toilet seat.

## 1710-2



- 17" Round
- Molded wood construction
- Multiple coats of enamel finish
- Sculpted full coverage lid
- 4 Bumpers
- Top mounted hinges with large mounting surface for greater stability
- Non-corrosive plastic hardware
- White

Model Number	A	B	C	D	E	F	G
1710-2	5-1/2"	16-1/2"	14"	16-1/2"	10-1/4"	8-1/4"	14-1/4"



Measurements are subject to manufacturing tolerances and may change without notice. BigGuyConstructionProducts® maintains the right to modify or change the product's design or construction without prior notice and without incurring any obligation to make similar changes and modifications to any product previously sold. Contact a BigGuyConstructionProducts® representative for clarifications.

