



a PreferredConstructionProducts® company

# 12" SQUARE FLOOR SINK

<b>Job Name:</b>	<b>Contractor:</b>
<b>Job Location:</b>	<b>Contractor PO:</b>
<b>Engineer:</b>	<b>Rep:</b>

### FLOOR SINK OPTIONS:

**DEPTH:** (see measurement A on drawing)

**FS1212-6 (6" deep)**

**FS1212-8 (8" deep)**

### OUTLET SIZE (select one):

Suffix Description (see measurement B on drawing)

**-2** 2"

**-3** 3"

**-4** 4"

### CONNECTOR STYLE (select one):

Suffix Description

**NH** No Hub

**P** Push-On

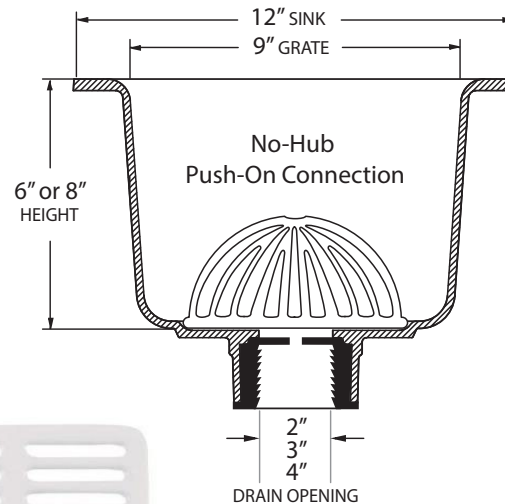
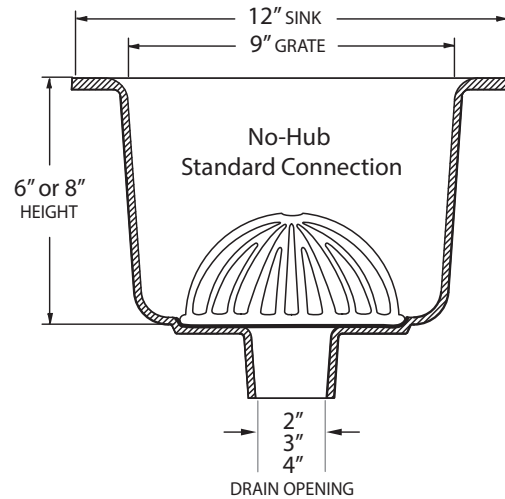
### GRATES:

Loose Set Acid Resistant Coated Cast Iron Grate - Sold Separately

**FSG12** Full Grate

**FSG12-1/2** Half Grate

**FSG12-3/4** 3/4 Grate



Measurements are subject to manufacturing tolerances and may change without notice. BigGuyConstructionProducts® maintains the right to modify or change the product's design or construction without prior notice and without incurring any obligation to make similar changes and modifications to any product previously sold. Contact a BigGuyConstructionProducts® representative for clarifications.

BG\_FS1212-FSG12\_floorsinks-grates\_submittal\_09-19



BigGuyConstruction Products® are represented by:

**HUGH M. CUNNINGHAM COMPANIES**

**CUSTOMER SERVICE:**  
**972-852-3477 or 1-800-339-0191**